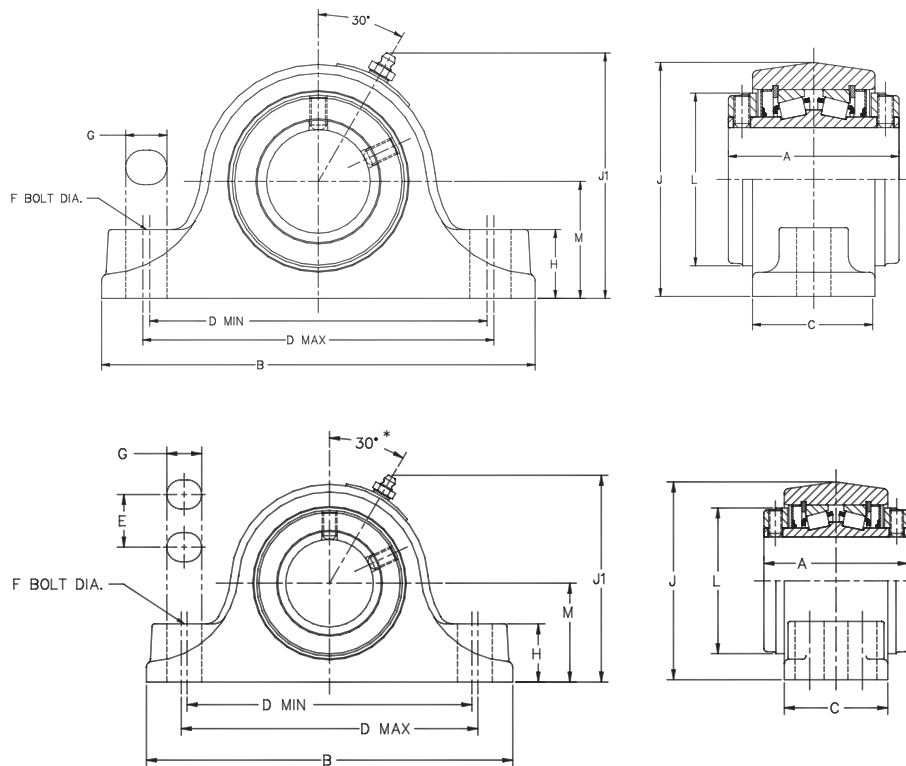


Duff-Norton provides a wide assortment of Pillow Blocks designed to operate with our screws and nuts, shafts, and couplings meeting a wide range of system requirements. Pillow Blocks may be used in any shafting configuration for additional shaft support, but are specifically required when the shaft length exceeds the dimensions listed in our shaft selection tables.



## Features

- Double row tapered roller bearings.
- ASTM A48 Class 30 Iron with tensile strength of at least 30,000psi.
- Dust seals.
- Set-screw locks – to properly secure screws or shafts regardless of rotation direction.



## Pillow Block Dimensional Specifications

Screw Diameter	Duff Part#	Shaft Size (In)	# Base Holes	A	B	C*	D (Min / Max)		E	F Bolt Dia	G	H	J	J1	L	M	Weight
3.00	PB250	2-1/2	2	4	10-1/2	2-7/8	8-3/8	8-5/8	NA	5/8	7/8	1-5/8	5-1/2	5-5/8	4-1/16	2-3/4	20 lbs.
3.75	PB300	3	2	4-1/2	12	3	9-5/16	9-11/16	NA	3/4	1	1-7/8	6-1/4	6-11/32	4-23/32	3-1/8	27 lbs.
4.00	PB325	3-1/4	2	5	14	3-1/2	10-13/16	11-3/16	NA	7/8	1-3/16	2-1/4	7-1/2	7-1/2	5-1/2	3-3/4	47 lbs.
4.50	PB350	3-1/2	2	5	14	3-1/2	10-13/16	11-3/16	NA	7/8	1-3/16	2-1/4	7-1/2	7-1/2	5-1/2	3-3/4	45 lbs.
5.00	PB400	4	4	6-1/4	15-1/4	4-1/2	12-1/4	12-3/4	2-1/4	3/4	1-1/8	2-7/16	8-7/16	8-1/2	6	4-1/4	69 lbs.
6.00	PB500	5	4	7-1/4	18-1/2	5-1/8	15-1/4	15-3/4	2-7/8	7/8	1-1/4	3	10-11/16	10-7/8	7-29/64	5-1/2	133 lbs.
7.00	PB600	6	4	9	22	6-1/4	17-3/8	19-1/8	3-3/4	1	2	3-1/4	----	13-3/16	9-3/8	6-11/16	245 lbs.
9.00	PB700	7	4	10-1/2	26	7-1/8	21-1/4	23-1/4	4-5/8	1	2	3-11/16	----	14-15/16	11-3/8	7-1/2	335 lbs.

Note: Pillow blocks are suited to function as Simple End supports only, not as thrust load bearings. All sizes use a 1/8-27 NPT hydraulic grease fitting.