

300 SERIES

SMALL ENVELOPE
GENERAL PURPOSE



Operating Parameters

MEDIA Air, Water	PRESSURE* 117 PSI
TEMPERATURE* 250° F	SPEED* 3,500 RPM
THREADS <ul style="list-style-type: none"> ■ 1/8" to 1/4" NPT ■ Machine Thread ■ BSP & BSPP Available 	MATERIAL Nickel Plated Steel

* See Performance Charts For Details

Features & Benefits

High Speed Air & Water Applications

Ideal for high speed air and water applications with space constraints.

Small Profile

Small envelope dimensions make the 300 Series suitable for use in applications with space constraints.

Corrosion Resistant

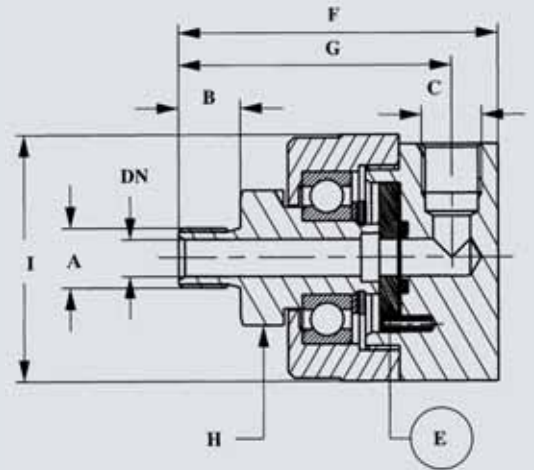
All steel parts are nickel plated steel for corrosion resistance.

300 SERIES ROTARY UNIONS					
PART NUMBERS	Shaft Thread (A)	Right Hand Thread		Left Hand Thread	
		Part Number	Description	Part Number	Description
	1/8 NPT	770359C	R3S3747KNPT	770358C	L3S3747KNPT
	1/4 NPT	770357C	R3S2086KNPT	770356C	L3S2086KNPT
	5/8-18 UNF	770361C	R3S3862KUNF	770360C	L3S3862KUNF

* E (Seal) GR2086

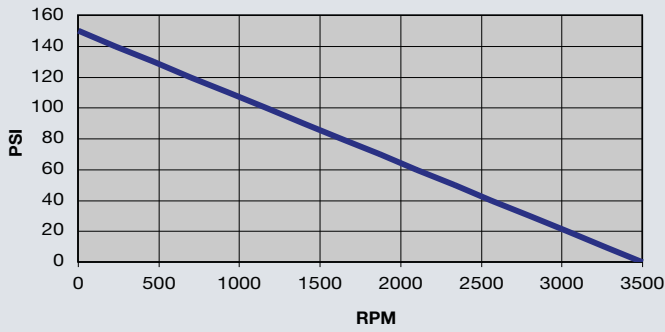
300 SERIES ROTARY UNIONS (in.)								
DIMENSIONS	Shaft Thread (A)	B	Inlet C (NPT)	DN	F	G	H	I
	1/8 NPT	0.4	1/8 (RH)	0.15	2	1.7	.75	1.5
	1/4 NPT	0.5		0.23				
	5/8-18 UNF	0.4		0.23				

* E (Seal) GR2086

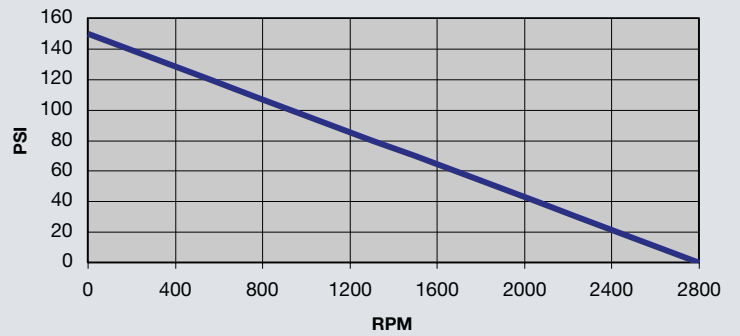


Performance Charts

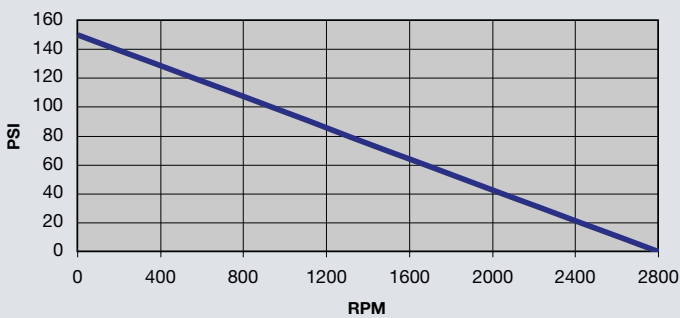
1/8"



1/4"



5/8"



■ Air & Water