

805 SERIES

GENERAL PURPOSE



Operating Parameters

MEDIA

Air, Hydraulic Fluid, Water,
Non-Toxic Gasses, Oil

PRESSURE*

435 PSI

TEMPERATURE*

320° F

SPEED*

5,000 RPM

THREADS

- 1/4" to 1" NPT
- MT & Metric
- BSP & BSPP Available

MATERIAL

Aluminum Housing With A
Stainless Steel Shaft. Also
Available In All Stainless Steel
Construction.

CONFIGURATION OPTIONS

Mono Flow and Dual Flow
Configurations Available

** See Performance Charts For Details*

Features & Benefits

Flexible

Suitable for a wide range of applications.

Mono Flow Models

Offered in sizes 1/4" to 1".

Dual Flow Models

Offered in sizes 1/2" to 1".

Seal Options

Two seal options are offered:

■ Seal Option E1 (Standard)

The carbon graphite seal ring against ceramic face ring design can be used at pressures up to 435 psi.

■ Seal Option E2 (Consult Factory)

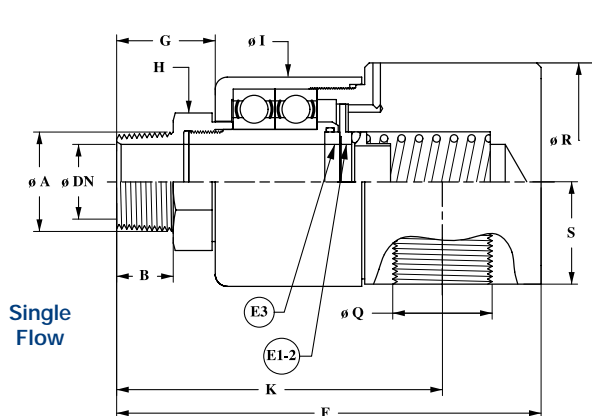
The stainless steel seal ring against ceramic face ring design can be used at pressures up to 725 psi.

805 SERIES ROTARY UNION • MONO FLOW

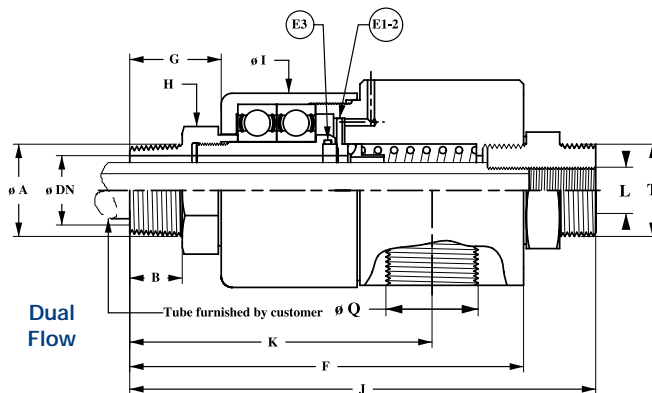
PART NUMBERS	Nominal Pipe Size	Shaft Thread (A)	Right Hand		Left Hand	
			Part Number	Description	Part Number	Description
PART NUMBERS	1/4	1/4 NPT	760150C	R813SR5NPT	760155C	L813SR5NPT
		1/4 BSP	760152C	R813SR5BSP	760157C	L813SR5BSP
		1/4 BSPP	760153C	R813SR5BSPP	760158C	L813SR5BSPP
		5/8-18 UNF	760151C	R813SR5UNF	760156C	L813SR5UNF
		M14xP1.5	760154C	R813SR5M	760159C	L813SR5M
	3/8	3/8 NPT	760170C	R817SR5NPT	760175C	L817SR5NPT
		3/8 BSP	760172C	R817SR5BSP	760177C	L817SR5BSP
		3/8 BSPP	760173C	R817SR5BSPP	760178C	L817SR5BSPP
		5/8-18 UNF	760171C	R817SR5UNF	760176C	L817SR5UNF
		M16xP1.5	760174C	R817SR5M	760179C	L817SR5M
	1/2	1/2 NPT	760190C	R821SR5NPT	760195C	L821SR5NPT
		1/2 BSP	760192C	R821SR5BSP	760197C	L821SR5BSP
		1/2 BSPP	760193C	R821SR5BSPP	760198C	L821SR5BSPP
		3/4-16 UNF	760191C	R821SR5UNF	760196C	L821SR5UNF
		M22xP1.5	760194C	R821SR5M	760199C	L821SR5M
	3/4	3/4 NPT	760210C	R827SR5NPT	760215C	L827SR5NPT
		3/4 BSP	760212C	R827SR5BSP	760217C	L827SR5BSP
		3/4 BSPP	760213C	R827SR5BSPP	760218C	L827SR5BSPP
		1-1/16-12 UNF	760211C	R827SR5UNF	760216C	L827SR5UNF
		M25xP1.5	760214C	R827SR5M	760219C	L827SR5M
1	1 NPT	760230C	R834SR5NPT	760235C	L834SR5NPT	
	1 BSP	760232C	R834SR5BSP	760237C	L834SR5BSP	
	1 BSPP	760233C	R834SR5BSPP	760238C	L834SR5BSPP	
	1-1/2-12 UNF	760231C	R834SR5UNF	760236C	L834SR5UNF	
	M35xP1.5	760234C	R834SR5M	760239C	L834SR5M	

805 SERIES ROTARY UNION • DUAL FLOW

PART NUMBERS	Nominal Pipe Size	Shaft Thread (A)	Right Hand Thread		Left Hand Thread	
			Part Number	Description	Part Number	Description
PART NUMBERS	1/2	1/2 NPT	760250C	R921SR5NPT	760255C	L921SR5NPT
		1/2 BSP	760252C	R921SR5BSP	760257C	L921SR5BSP
		1/2 BSPP	760253C	R921SR5BSPP	760258C	L921SR5BSPP
		3/4-16 UNF	760251C	R921SR5UNF	760256C	L921SR5UNF
		M22xP1.5	760254C	R921SR5M	760259C	L921SR5M
	3/4	3/4 NPT	760270C	R927SR5NPT	760275C	L927SR5NPT
		3/4 BSP	760272C	R927SR5BSP	760277C	L927SR5BSP
		3/4 BSPP	760273C	R927SR5BSPP	760278C	L927SR5BSPP
		1-1/16-12 UNF	760271C	R927SR5UNF	760276C	L927SR5UNF
		M25xP1.5	760274C	R927SR5M	760279C	L927SR5M
	1	1 NPT	760290C	R934SR5NPT	760295C	L934SR5NPT
		1 BSP	760292C	R934SR5BSP	760297C	L934SR5BSP
		1 BSPP	760293C	R934SR5BSPP	760298C	L934SR5BSPP
		1-1/2-12 UNF	760291C	R934SR5UNF	760296C	L934SR5UNF
		M35xP1.5	760294C	R934SR5M	760299C	L934SR5M



Single Flow



Dual Flow

805 SERIES ROTARY UNION • MONO FLOW (in.)											
Nominal Pipe Size	Shaft Thread (A)	Inlet Thread (Q)*	Shaft Thread Length (B)	DN	F	G	H	I	K	R	S
1/4	1/4 NPT	NPT	.43	.31	3.14	.74	.86	1.49	2.55	1.73	.76
	1/4 BSP	BSP									
	1/4 BSPP	BSPP			3.34	.94	2.75				
	5/8-18 UNF	NPT									
3/8	M14xP1.5	BSP	.43	.39	3.42	.82	1.02	1.65	2.71	1.81	.78
	3/8 NPT	NPT									
	3/8 BSPP	BSPP			3.62	1.02	2.91				
	5/8-18 UNF	NPT									
1/2	M16xP1.5	BSP	.55	.55	4.17	.98	1.25	2.16	3.38	2.36	1.02
	1/2 NPT	NPT									
	1/2 BSPP	BSPP			4.37	1.18	3.58				
	3/4-16 UNF	NPT									
3/4	M22xP1.5	BSP	.62	.78	4.80	1.10	1.37	2.48	3.74	2.91	1.29
	3/4 NPT	NPT									
	3/4 BSPP	BSPP			5.19	1.49	4.13				
	1-1/16-12 UNF	NPT									
1	M25xP1.5	BSP	.74	.98	5.59	1.22	1.61	2.75	4.25	3.14	1.33
	1 NPT	NPT									
	1 BSPP	BSPP			5.98	1.61	4.64				
	1-1/2-12 UNF	NPT									
	M35xP1.5	BSP	.70								

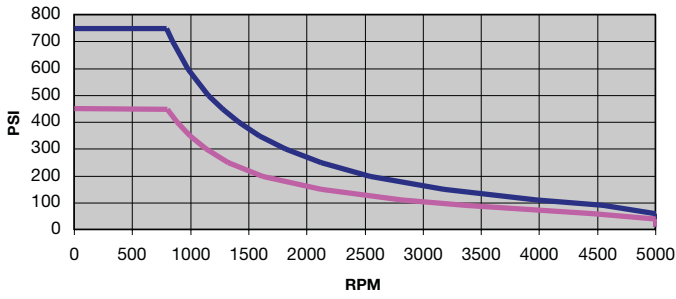
* All inlet threads are right hand threads

805 SERIES ROTARY UNION • DUAL FLOW (in.)														
Nominal Pipe Size	Shaft Thread (A)	Inlet Thread (Q)*	Shaft Thread Length (B)	DN	F	G	H	I	J	K	L (NPT)	R	S	T (NPT)
1/2	1/2 NPT	NPT	.55	.55	4.17	.98	1.25	2.16	5.23	3.38	1/8	2.36	1.02	.50
	1/2 BSP	BSP												
	1/2 BSPP	BSPP			4.37	1.18	5.43	3.58						
	3/4-16 UNF	NPT												
3/4	M22xP1.5	BSP	.62	.78	4.80	1.10	1.37	2.48	5.94	3.74	1/4	2.91	1.29	.75
	3/4 NPT	NPT												
	3/4 BSPP	BSPP			5.19	1.49	6.33	4.13						
	1-1/16-12 UNF	NPT												
1	M25xP1.5	BSP	.74	.98	5.59	1.22	1.61	2.75	6.85	4.25	3/8	3.14	1.33	1
	1 NPT	NPT												
	1 BSPP	BSPP			5.98	1.61	7.24	4.64						
	1-1/2-12 UNF	NPT												
	M35xP1.5	BSP	.70											

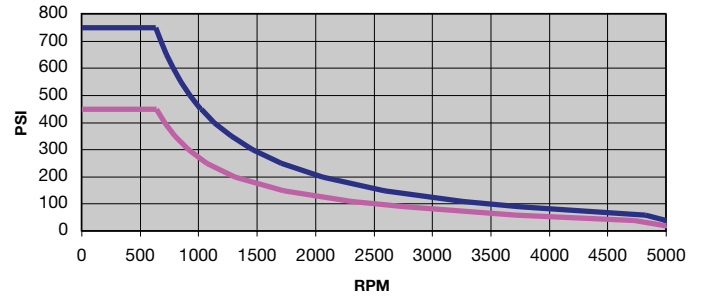
* All inlet threads are right hand threads

Performance Charts

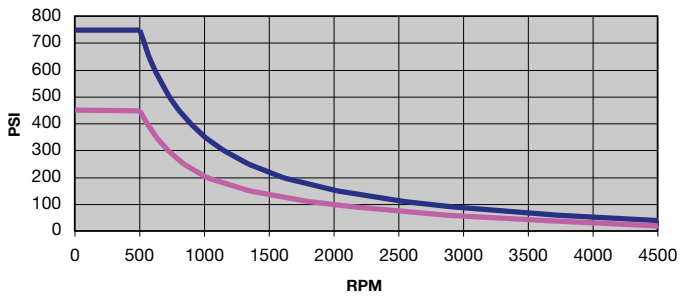
1/4"



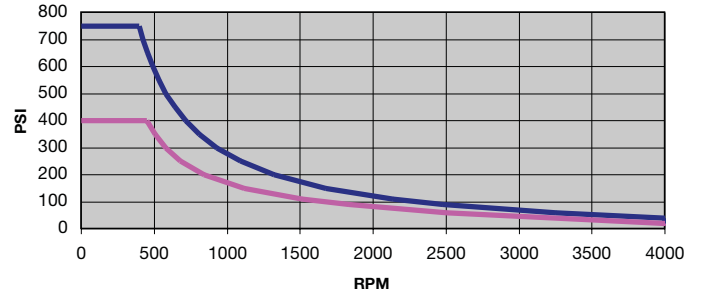
3/8"



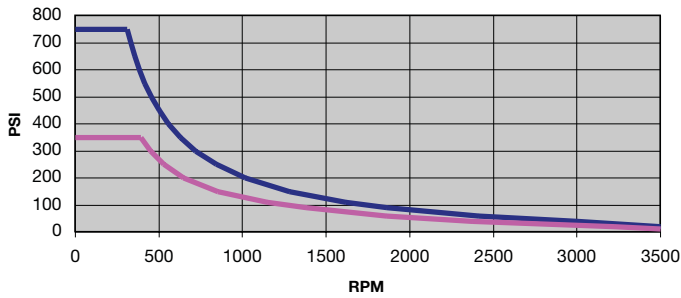
1/2"



3/4"



1"



Stainless Steel
 Standard Materials