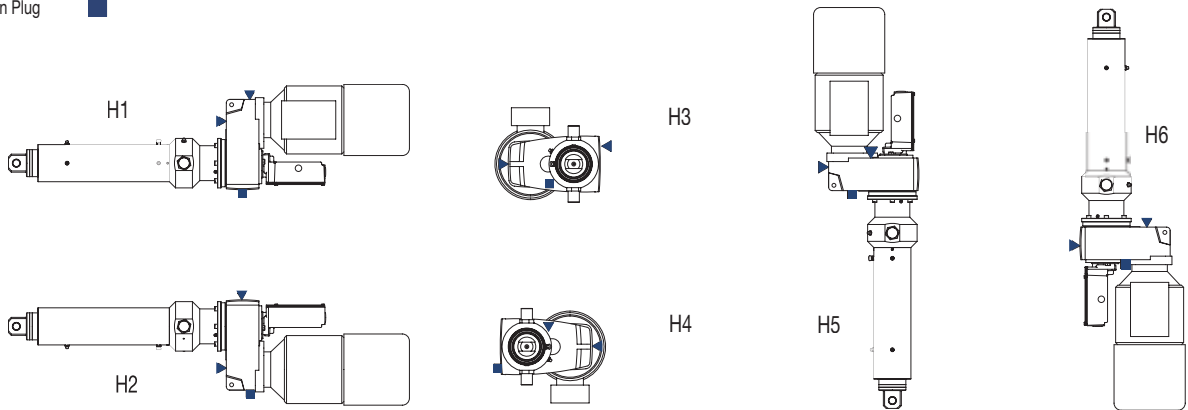


Because the SCN Series use oil filled gear boxes, it is very important for Duff-Norton to know the cylinder's application mounting position. Providing this information to Duff-Norton will ensure that the level plug, vent plug, and drain plugs are located on the gear box in the position best suited for the application. Please review the drawings below and provide the appropriate mounting code (see our Application Analysis Form pg. 8)

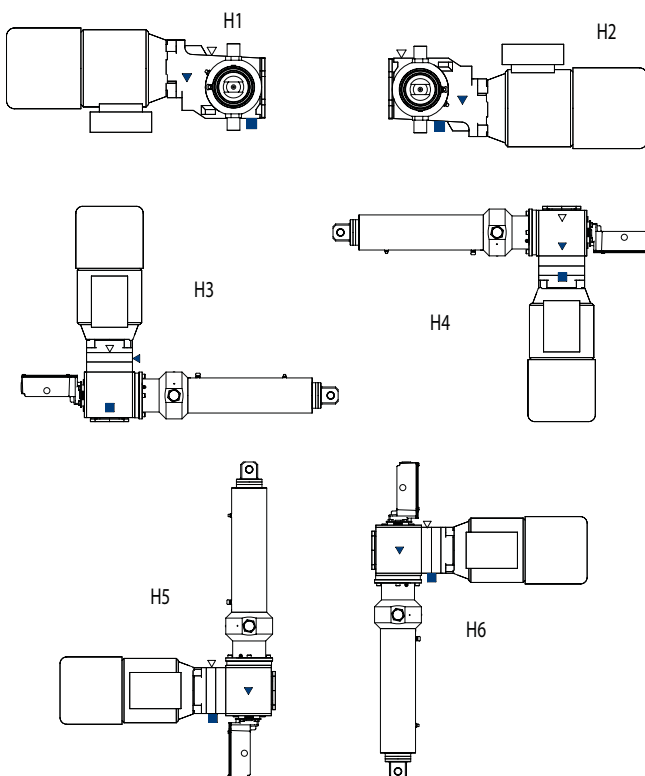
Example: the customer wants an offset configuration with the cylinder pointing straight up for a compression application. The proper mounting code would be H6.

Common Symbols  
 Vent Plug ▼  
 Level Plug ▼  
 Drain Plug ■

## Offset Mounting Position Codes



## Right Angle Mounting Position Codes



## Parallel Mounting Position Codes

